

**Ministry of Urban Development, Water Supply
and Housing Facilities**



**STATE ENGINEERING CORPORATION
OF SRI LANKA
PROCUREMENT NOTICE**

**SUPPLY OF CAST IRON RAILWAY SHOULDERS FOR
SLEEPERS YARD – DEMATAGODA, SRI LANKA**

Tender No: SDSQ/2020/19/S-2/3

1. Chairman, Department Procurement Committee on behalf of the State Engineering Corporation of Sri Lanka invites sealed bids from eligible and qualified local and international bidders for the supply of cast iron railway shoulders for sleeper yard - Dematagoda, Sri Lanka
2. Bidding will be conducted through the Open Competitive Bidding procedure.
3. To be eligible for tender award, the successful bidder shall not have been blacklisted and three years experience in supplying Cast Iron Railway Shoulders in Sri Lanka or abroad is required.
4. A complete set of bidding documents in English language may be collected by interested bidders from above address or our official web site: www.secsl.gov.lk.
5. Bid shall be valid up to 90 days from the date of bid opening.
6. Duly filled and sealed bids with duplicate marked “**Procurement of Cast Iron Railway Shoulders for Sleeper Yard- Dematagoda, Tender No: SDSQ/2020/19/S-2/3**” on top left hand corner of the envelopes should be delivered to The Chairman, Department of Procurement Committee, State Engineering Corporation of Sri Lanka, 130, W.A.D. Ramanayaka Mawatha, Colombo 02, Sri Lanka. on or **before 21.07.2020 at 02.00 pm.**
7. Bids will be opened soon after closing of the bid. Late bids will be rejected. Bidders or their representatives may be present at the time of bid opening.
8. Evaluation of bids will be done based on the submitted technical details.
9. Interested eligible bidders may obtain further information from the Supplies Division, State Engineering Corporation of Sri Lanka (Telephone: +94 11 2 434485).
10. The Department Procurement Committee reserves the right to accept or reject any bid and reject all bids at any time prior to award the contract, without thereby incurring any liability to the affected Bidder or Bidders or any obligation in inform the affected Bidders of the grounds for the Department Procurement Committee’s action.

Chairman,
Department Procurement Committee,
State Engineering Corporation of Sri Lanka,
No. 130, W.A.D Ramanayaka Mawatha,
Colombo 02.



ශ්‍රී ලංකා ප්‍රජාතාන්ත්‍රික සමාජවාදී ජනරජයේ ගැසට් පත්‍රය

අති විශේෂ

The Gazette of the Democratic Socialist Republic of Sri Lanka

EXTRAORDINARY

අංක 2171/5 - 2020 අප්‍රේල් මස 16 වැනි බ්‍රහස්පතින්දා - 2020.04.16
No. 2171/5 - THURSDAY, APRIL 16, 2020

(Published by Authority)

PART I : SECTION (I) — GENERAL

Government Notifications

IMPORTS AND EXPORTS (CONTROL) ACT, NO. 1 OF 1969

Order under Section 2

REGULATIONS made by the Minister under Section 20 read with Sub section (3) of Section 4 and Section 14 of the Imports and Exports (Control) Act, No. 1 of 1969 as amended by Act No. 48 of 1985 and No. 28 of 1987.

MAHINDA RAJAPAKSA,
Minister of Finance, Economic and Policy Development.

Ministry of Finance, Economic and Policy Development,
Colombo 01,
April 16, 2020.



REGULATIONS

1. These Regulations may be cited as the Imports and Exports (Control) Regulations No. 01 of 2020.
2. The Special Import License and Payment Regulations No. 1 of 2011 published by the *Gazette Extraordinary* No. 1739/3 dated January 02, 2012 is amended hereby removing the Regulation 3(1) b, 3(1) c, 11 and 12.
3. Sri Lanka Customs and Commercial Banks are obliged to suspend the facilitation of importation of the items stipulated in the **Schedule I** under the payment term relating to Letter of Credit (LC), Documents against Acceptance (DA), Documents against Payment (DP), Advance Payment and combination of these, from April 16, 2020 to July 15, 2020.
4. Commercial Banks should facilitate importation of the items stipulated in the **Schedule II** only with the Credit facility for three months with effect from April 16, 2020 to July 15, 2020.
5. These regulations shall be effective for the item(s) set out in the **Schedule I and II** of the *Gazette* where on board date comes from April 16, 2020 to July 15, 2020.
6. In special circumstances, with regard to the applicability of the above regulations shall in the interest of the national economy, Controller General of Imports and Exports may, at discretion reserve the final decision on applicability of regulations.

SCHEDULE I

	Column I HS Heading	Column II HS code		Column III Description	Column IV Temporarily Suspension (TS)
1	03.01			Live Fish	
			-	Ornamental Fish	
		0301.11.00	--	Freshwater :	
		0301.11.90	---	Other	TS
		0301.19.00	--	Other :	
		0301.19.10	---	Restricted species under the Fisheries Ordinance	TS
		0301.19.90	---	Other	TS
			-	Other live fish;	
		0301.93.00	--	Carp (Cyprinus spp., Carassius spp., Ctenopharyngodon idellus, Hypophthalmichthys spp., Cirrhinus spp., Mylopharyngodon piceus, Catla catla, Labeo spp., Osteochilus hasselti, Leptobarbushoeveni, Megalobrama spp.)	TS
		0301.99.00	--	Other	TS

Quotation Format

QUOTATION FOR THE SUPPLY OF CAST IRON RAILWAY SHOULDERS

QUOTATION NO : SDSQ/2020/19/S-2 /3

CLOSING DATE TIME : 21/07/2020

Delivery Location - Sleepers Yard Dematagoda- Sri Lanka



S/NO	Description	Unit	Qty.	Unit Price (USD)			Total Unit Price (A+B+C)	Total Amount (USD)
				FOB (A)	Freight to Colombo (B)	Insurance to Colombo (C)		
1	Cast Iron Railway Shoulders, [Inter Cast & Forge (Pvt) Ltd, Australia or any other Manufacturer approved by the Srilanka Railway as per the specifications.] Please refer annexure 1 &2 for drawing and specification.	Nos	74,000					

Bidder Signature

Date

Company Seal

MINISTRY OF URBAN DEVELOPMENT, WATER SUPPLY AND HOUSING FACILITIES
STATE ENGINEERING CORPORATION OF SRI LANKA



INVITATION OF BIDS FOR SUPPLY OF CAST IRON RAILWAY SHOULDERS FOR SLEEPERS YARD DEMATGODA-SRI LANKA

TENDER NO : SDSQ /2020/19/S-2/3

Sealed bids are hereby invited for the Supply of 74,000 Nos Cast Iron Railway Shoulders for Sleepers Yard Dematgoda.

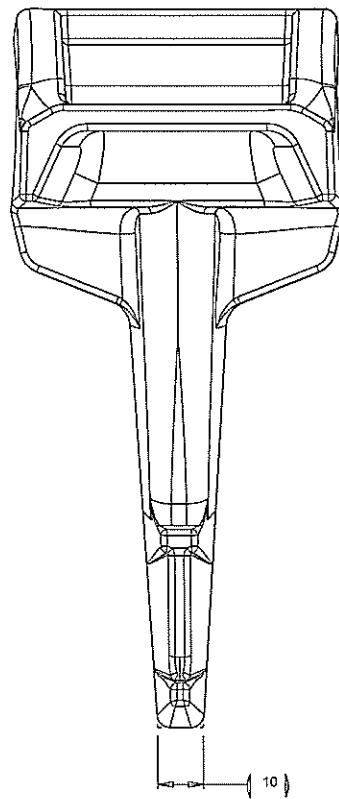
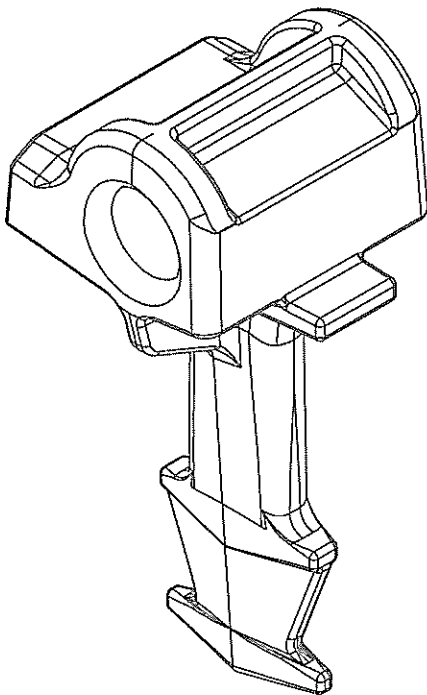
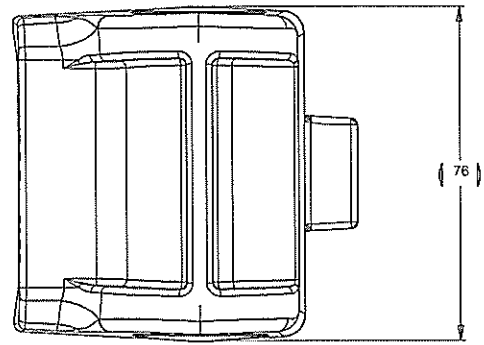
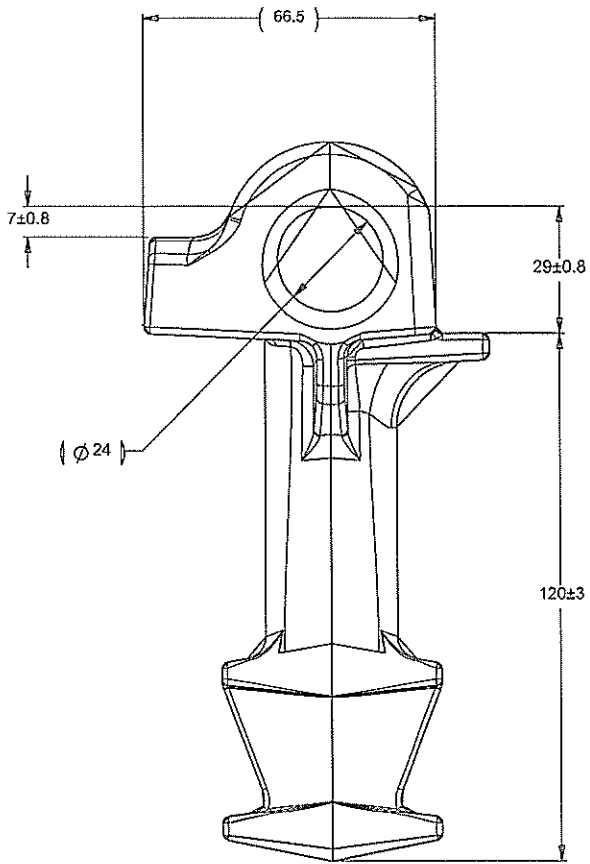
Terms & Conditions :

- 1 All bids should be sent in duplicate on the forms attached herewith.
- 2 Duly filled and sealed bids with duplicate marked " Procurement of Cast Iron Railway Shoulders for Sleepers Yard –Dematgoda, Tender No: SDSQ/2020/19/S-2/3" on top left hand corner of envelopes should be delivered to The Chairman, Department of Procurement Committee, State Engineering Corporation of Sri Lanka, 130 W A D Ramanayaka Mawatha, Colombo 02, Sri Lanka on or before the closing of Bids.
- 3 All alterations should be initialed, otherwise the bids are likely to be rejected.
- 4 Bids will be closed on **21/07/2020** at **02.00pm** and will be opened soon after the closing. Bidders or their representatives may be present at the time of bid opening. Late bids will be rejected.
- 5 Evaluation of bids will be done based on the submitted technical details.
- 6 At the time submitting the bid, Samples should be submitted if necessary for the evaluation.
- 7 Bids should be valid for 06 months from the date of opening.
- 8 The department Procurement Committee reserves the right to accept or reject any bid and reject all bids at any time prior to award the contract, without thereby incurring any liability to the affected Bidder or Bidders or any obligation to inform the affected Bidders of the grounds for the Department Procurement Committee's action.
9. Suppliers shall agree for the minimum 90 days of credit from the on board date (date that the material loaded to the ship) in accordance with the Gazette notification No. 2171/5 dated 16/04/2020 to the imports and exports (Control) Act No. 1 of 1969 issued by the Sri Lankan Government under regulation no. 04 schedule No.II and amendment dated 21/05/2020 under regulation No.9

Yours faithfully,
State Engineering Corporation of Sri Lanka

Eng. T.B. Jayalal
Chief Procurement Officer
Date: 30/06/2020

Annexure I



Specification

INVITATION OF BIDS FOR SUPPLY OF CAST IRON RAILWAY SHOULDERS
FOR SLEEPERS YARD –DEMATGODA, SRI LANKA

TENDER NO: SDSQ /2020/19/S-2/3

Product Specifications – Cast Iron Shoulders

01. Scope

This specification covers the minimum manufacturing and testing requirements of cast shoulders manufactured in spheroidal graphite cast iron. The shoulder provides a rail bearing face to maintain track gauge and housing for the installation of the Rail Fastening Clips.

02. Material Specification

National Standards

EN 1563	grade EN-GJS-500-7
ASTM A536	grade 80/55/06
AS 1831	grade 500/7

03. Quality Assurance Testing

Based on the shoulder manufacturer demonstrating that the production process and associated tests are so controlled that conformity to visual and dimensional requirements are assured.

I. Visual (Surface Irregularities)

Only minor surface irregularities, protrusions or cavities are permitted on the complete shoulders.

Note : Surface oxidation of cast shoulders is a normal condition of supply. Surface oxidation is not detrimental to the performance of the shoulder or the Rail Fastening assembly.

II. Dimensional Accuracy

All dimensions of ‘as made shoulders’ (before the addition of any coating) must be in accordance with the appropriate drawing (Annexure I).

III. Hardness

Cast shoulder hardness shall be 170 to 240 Brinell.

The method of hardness testing shall be in accordance with BS EN ISO 6506-1, ASTM E 10 or AS 1816.1.

IV. Micro Structure

Following parameters should be within the given limit.

Nodularity : 90% to 95%
Pearlite : 35% to 45%
Form : V&VI
Ferrite : 40% to 45%
Cementite : Nil

04. Coating

Where specified, shoulders shall be coated with an approved zinc based corrosion preventive coating.

05. Mass

Estimated mass of one shoulder is not less than 1.0 kg.

06. Responsibility for Tests

All tests detailed in paragraph 3 are the responsibility of the manufacturer and shall be carried out by the manufacturer or a mutually acceptable independent testing authority.

07. Certification

The manufacturer will submit with each batch of shoulders (or order if agreed) a certificate of conformity and associated test results confirming that the shoulders supplied have met the requirements of this specification and conform to the appropriate drawing.